

# BriteZone™ Work Lamps

Data Sheet



W O R K L I G H T I N G



BZ201-5



BZ101-5



BZ301-5



BZ551-5



BZ111-5



BZ601-5

**NO EXCUSES. Rain or Shine... Day or Night... Grote's line of affordable LED lamps are designed to work when you need them.**

- With rugged, durable construction and LED power that far outshines halogen, BriteZone lamps get the job done.
- Boating. Mowing. Off-roading. Working. Long after the sun goes down, you need a lamp that's as tough and tireless as you are.
- Grote's BriteZone range has the LED lamp to shed light on any use—even tow trucks, garbage trucks and forklifts—without breaking the bank.
- Value priced to meet your budget.

## PRODUCT SPECIFICATIONS

### MATERIALS

LENS: POLYCARBONATE  
HOUSING: DIE-CAST ALUMINUM  
BRACKET: STAINLESS STEEL

### LIGHT OUTPUT

FLOOD PATTERN WITH COOL WHITE COLOR

PART NUMBER	DESCRIPTION	LEDS	POWER CONSUMPTION	RAW LUMENS	VOLTS
BZ101-5	ROUND WORK LAMP	6	16 WATTS	1600	9 – 32 VOLTS
BZ111-5	SMALL ROUND WORK LAMP	5	14 WATTS	1240	12 – 36 VOLTS
BZ201-5	SQUARE WORK LAMP	5	11 WATTS	1100	9 – 32 VOLTS
BZ301-5	SLIM WORK LAMP	6	16 WATTS	1400	9 – 32 VOLTS
BZ551-5	LED WORK LAMP	6	15 WATTS	1200	12 – 30 VOLTS
BZ601-5	MINI SQUARE WORK LAMP	3	8.1 WATTS	775	12 – 36 VOLTS

2600 Lanier Drive, Madison, Indiana U.S.A. 47250-0550

U.S. **800.628.0809** Canada **800.268.5612**

Europe **+49 9422 40331-0** Mexico **+(52) 818262 4412** China **+86.21.5774.9633**

[grote.com](http://grote.com)

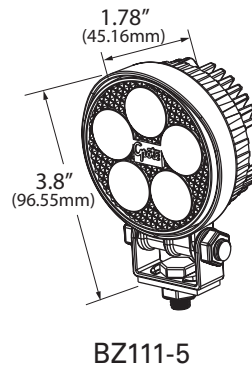
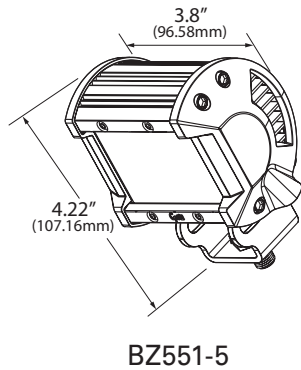
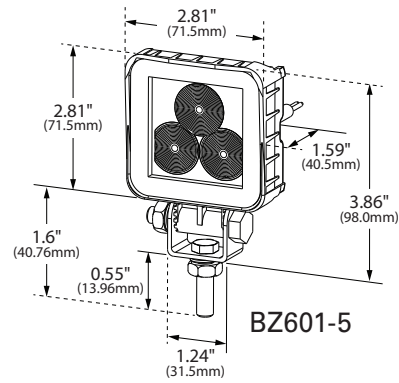
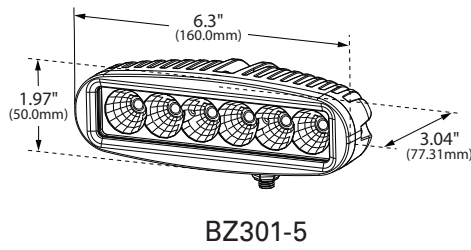
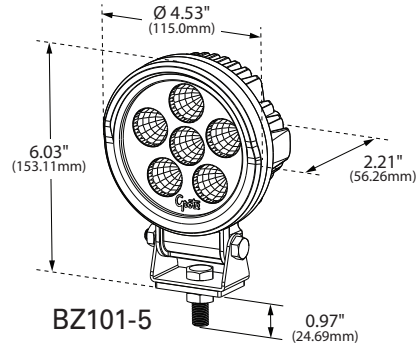
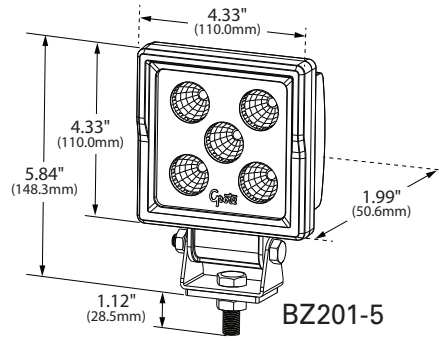


# BriteZone™ Work Lamps

Data Sheet



WORK LIGHTING



2600 Lanier Drive, Madison, Indiana U.S.A. 47250-0550

U.S. **800.628.0809** Canada **800.268.5612**

Europe **+49 9422 40331-0** Mexico **+(52) 818262 4412** China **+86.21.5774.9633**

[grote.com](http://grote.com)

