

# ICON™ Utility Bar

## Area/Flood Lights



### FEATURES

- High-powered LED, multi-function utility light
- Available in 13" and 21" lengths
- Unique flood/spotlight with Amber warning and Amber or White cruise light
- Bezel-less frame to reduce dirt/snow/ice accumulation
- Die-cast aluminum housing and hard-coated polycarbonate lens with UV coating
- Adjustable mounting brackets and stainless hardware included
- Multi-voltage, 12/24 Vdc
- Three-year warranty

### APPROVALS

- RoHS, CE
- SAE J595 Class 1
- IP68/IP69K

Federal Signal's ICON™ Utility Bars have high-powered LEDs with multi-function capability. These bars are available in 13- and 21-inch lengths. Both lengths function as a unique flood/spotlight with Amber warning and Amber or White cruise light. The Amber warning light is SAE J595 Class 1 compliant, making it a great choice for anyone seeking a flood/spotlight that meets safety standards.

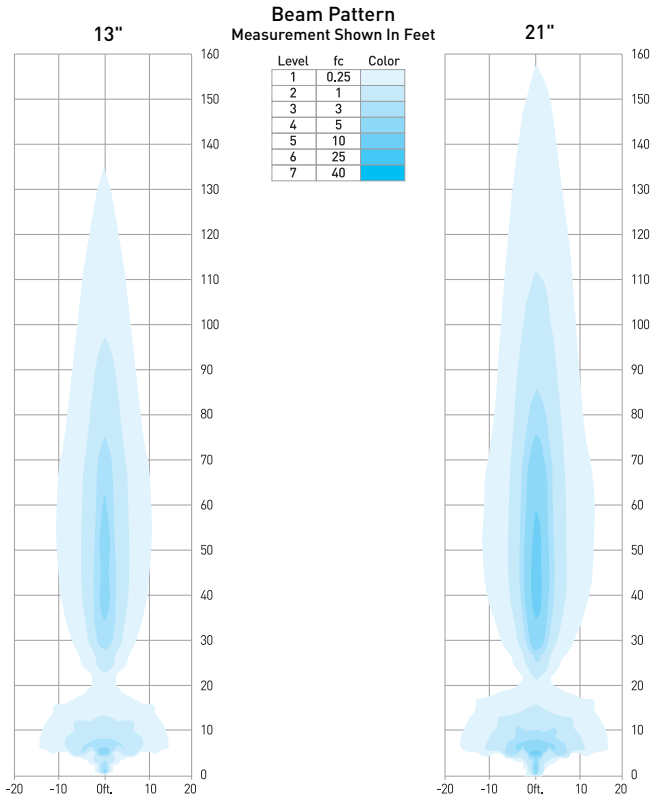
These utility light bars have a smooth edge lens with a bezel-less frame which reduces dirt, snow, and ice accumulation. The ICON Utility Bar is constructed of die-cast aluminum housing and hard-coated polycarbonate lens with UV coating to resist scratches. Also, these bars are IP68 and IP69K rated which means they are fully protected against dust and water. With these features in mind, it makes it durable to withstand tough conditions.

Adjustable mounting brackets and stainless hardware are included. You can angle your lighting to however you prefer with options of tilted upward, downward, or straight on.

## HOW TO ORDER

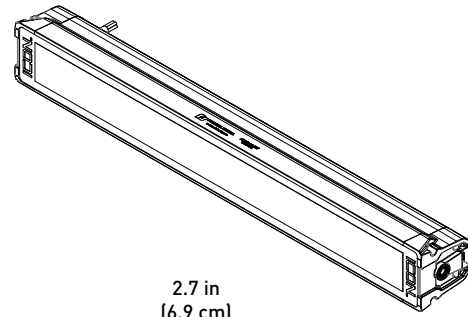
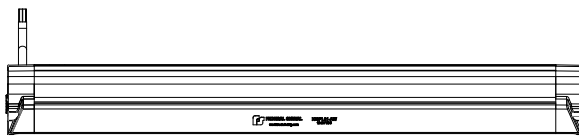
LED Color    Lens Color  
A   W    C

**ICSPL13-AW**    13-inch utility bar, White flood/spot, Amber warning  
**ICSPL21-AW**    21.5-inch utility bar, White flood/spot, Amber warning

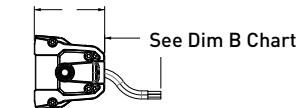
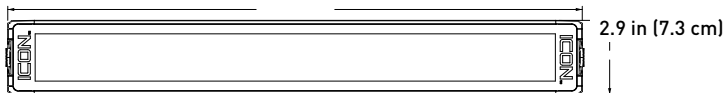


## SPECIFICATIONS

	ICSPL13-AW	ICSPL21-AW
<b>EFFECTIVE LUMENS</b>	4202 lm	6475 lm
<b>CURRENT DRAW WHITE FLOOD/SPOTLIGHT (RED WIRE)</b>	3.9 A @ 12 Vdc 2.1 A @ 24 Vdc	6.8 A @ 12 Vdc 3.5 A @ 24 Vdc
<b>CURRENT DRAW WHITE CRUISE LIGHT (GREY WIRE)</b>	0.1 A @ 12 Vdc 0.1 A @ 24 Vdc	0.1 A @ 12 Vdc 0.1 A @ 24 Vdc
<b>CURRENT DRAW AMBER WARNING LIGHT (GREEN WIRE)</b>	0.8 A @ 12 Vdc 0.4 A @ 24 Vdc	0.7 A @ 12 Vdc 0.4 A @ 24 Vdc
<b>CURRENT DRAW AMBER CRUISE LIGHT (YELLOW WIRE)</b>	0.1A @ 12 Vdc 0.1 A @ 24 Vdc	0.1 A @ 12 Vdc 0.1 A @ 24 Vdc
<b>OPERATING VOLTAGE</b>	12/24 Vdc	
<b>OPERATING TEMP</b>	-40° to +149°F (-40° to +65°C)	
<b>PHYSICAL SPECIFICATIONS</b>		
<b>LENGTH</b>	14.2 in (36.1 cm)	22.2 in (56.4 cm)
<b>WIDTH</b>	2.7 in (6.9 cm)	2.7 in (6.9 cm)
<b>HEIGHT</b>	2.9 in (7.3 cm)	2.9 in (7.3 cm)
<b>SHIP WEIGHT</b>		
	5.3 lb (2.4 kg)	7.3 lb (3.3 kg)



See Dim A Chart



MODEL NO.	DIM A	DIM B
ICSPL13-AW	14.2"	20"
ICSPL21-AW	22.2"	40"



ICON is a trademark of Federal Signal Corporation.