



# 03.W3262 Random Flash Headlight and Grille Light or Headlight and Deck Light Flasher INSTRUCTIONS

**Attention Installers: This flasher must be installed by a qualified technician.**

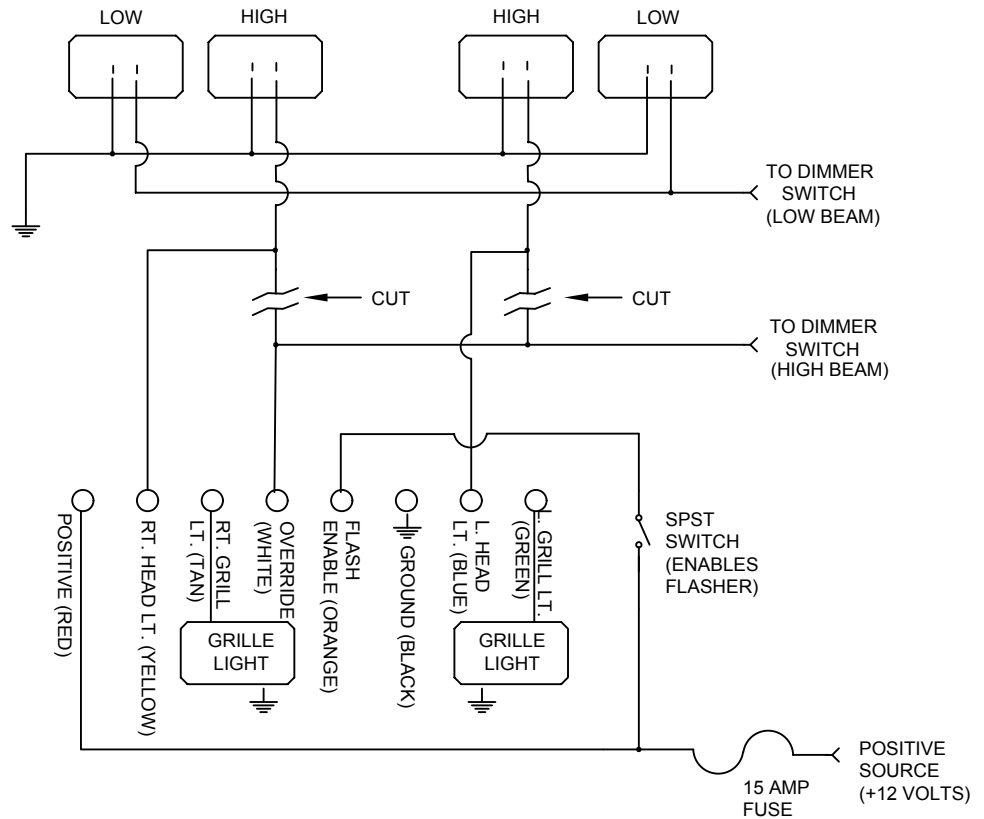
It is the final responsibility of the installer of headlight flashers to determine their compatibility with the vehicle make and model in which they will be installed. Incorrect wiring of headlight flashers could result in costly problems or even permanent damage to the vehicle's computer module.

**NOTE:** Do not install any **SHO-ME**® headlight flashers on 2000 model year or newer Dodge Durangos or Dodge Dakotas. Our flashers are **not** compatible with these vehicles and may lead to the failure of their computer systems.

### CAUTION!

This flasher **MUST** be wired through a circuit controlled by the ignition switch **DO NOT** wire directly to the battery.

1. Connect ground wire to a convenient chassis ground (negative).
2. Connect the left grille light wire to the left grille light (or to the left rear deck light).
3. Connect the right grille light wire to the right grille light (or the right rear deck light).
4. Connect the left headlight wire to the left headlight. Be sure to disconnect any other wires going to the high beam wires, as shown in the diagram. **FAILURE TO DO SO MAY DESTROY THE MODULE IN THE CAR THAT CONTROLS THE AUTOMATIC HEADLAMPS!**
5. Connect the right headlight wire to the right headlight. Be sure to disconnect any other wires going to the high beam wires, as shown in the diagram. **FAILURE TO DO SO MAY DESTROY THE MODULE IN THE CAR THAT CONTROLS THE AUTOMATIC HEADLAMPS!**
6. Connect the positive wire to a FUSED (15 amp) +12 volt supply, such as a fuse panel.
7. Connect the override wire to the high beam wire that comes from the dimmer switch.



CONTINUED>>



**PRODUCTS COMPANY** 804 East Hwy 248 Cassville, MO 65625  
 U.S. and Canada Toll Free Numbers Phone: 800-641-4098 FAX: 800-526-1240  
 E-mail: sales@able2products.com WEB: www.able2products.com

8. Connect the flash-enable wire to a control switch or to a master switch. The current draw on this wire is less than  $\frac{1}{4}$  amp.

## OPERATION

1. During normal driving, the dimmer switch will work the same as before installation of the flasher.
2. When the flasher is activated, the right and left grille lights will alternate and the right and left headlights will alternate.
3. The low beam headlights may be turned on while the flasher is operating. If the high beams are activated while the flasher is operating, the grille lights will continue to flash and the high beam headlights will burn steady.

## LIMITED WARRANTY

Able 2 Products Company warrants each new product (except bulbs, strobe tubes, strobe power supplies and LED Products) to be free from defects in material and workmanship for a period of two years from the date of purchase. During this warranty period, the obligation of Able 2 is limited to repairing or replacing, as Able 2 may elect, any part or parts, which after examination by Able 2 are determined to be defective, when they are delivered pre-paid. This limited warranty does not cover travel expense, the cost of specialized equipment for gaining access to the product, or labor charges for the removal and re-installation of the product.

Able 2 Products Company shall not be liable for incidental or consequential damages, including but not limited to : Loss of use of vehicle, Rental of substitute vehicle, Loss of time, Loss of work, Inconvenience, Transportation expenses, Telephone, Lodging, Loss of revenue, Loss of and /or damage to personal property for or arising out of breach of any express or implied warranty of its products.

Use of lamp or other electrical load of a wattage higher than installed or recommended by the factory, or use of inappropriate or inadequate wiring or circuit protection causes this limited warranty to become void. Able 2 Products Company will in no way be liable for any loss of profits or any indirect or consequential damages arising out of any such defect in material and workmanship whether loss is due to negligence or breach of warranty. This limited warranty does not apply to shipping damage, accident, alteration, tampering, misuse or abuse and unauthorized service.

This limited warranty is expressly in lieu of all other express or implied warranties, including the implied warranty of merchantability and the implied warranty of fitness for a particular purpose, and of all other obligations or liabilities on the part of Able 2 Products Company. There are no warranties, unless expressed in authorized Able 2 literature, which extend beyond the description of the face hereof. No dealer, distributor, employee, or representative of the company is authorized to change this warranty in any way or to grant any other warranty.

<b>WARRANTIES:</b>	All LED Products . . . . .	5 Years
	T Model & Potted Strobe Power Supplies . . . . .	2 Years
	All Other Strobe Power Supplies . . . . .	5 Years
	All Other Products EXCEPT Bulbs . . . . .	2 Years (under normal use)
	Strobe Tubes . . . . .	1 Year (under normal use)
	NOTE: Halogen and Incandescent Bulbs are not covered by warranty.	

## PRODUCT RETURNS

If a product must be returned, contact our factory by calling 1-800-641-4098 to obtain a Return Authorization Number (RA) before you ship the product. Write the RA Number clearly on the package and return it to Able 2 Products Company, P.O. Box 543, 804 E. Hwy. 248, Cassville, MO 65625-0543. A packing slip should be included with all shipments listing the sender's name, address, daytime phone number and description of defect. Your product will be put in first-class operating condition or replaced with a new part, and returned pre-paid.