



03.W3500 Random Flash Auxiliary Light Flasher INSTRUCTIONS

Attention Installers: This flasher must be installed by a qualified technician.

It is the final responsibility of the installer of headlight flashers to determine their compatibility with the vehicle make and model in which they will be installed. Incorrect wiring of headlight flashers could result in costly problems or even permanent damage to the vehicle's computer module.

NOTE: Do not install any **SHO-ME**® headlight flashers on 2000 model year or newer Dodge Durangos or Dodge Dakotas. Our flashers are **not** compatible with these vehicles and may lead to the failure of their computer systems.

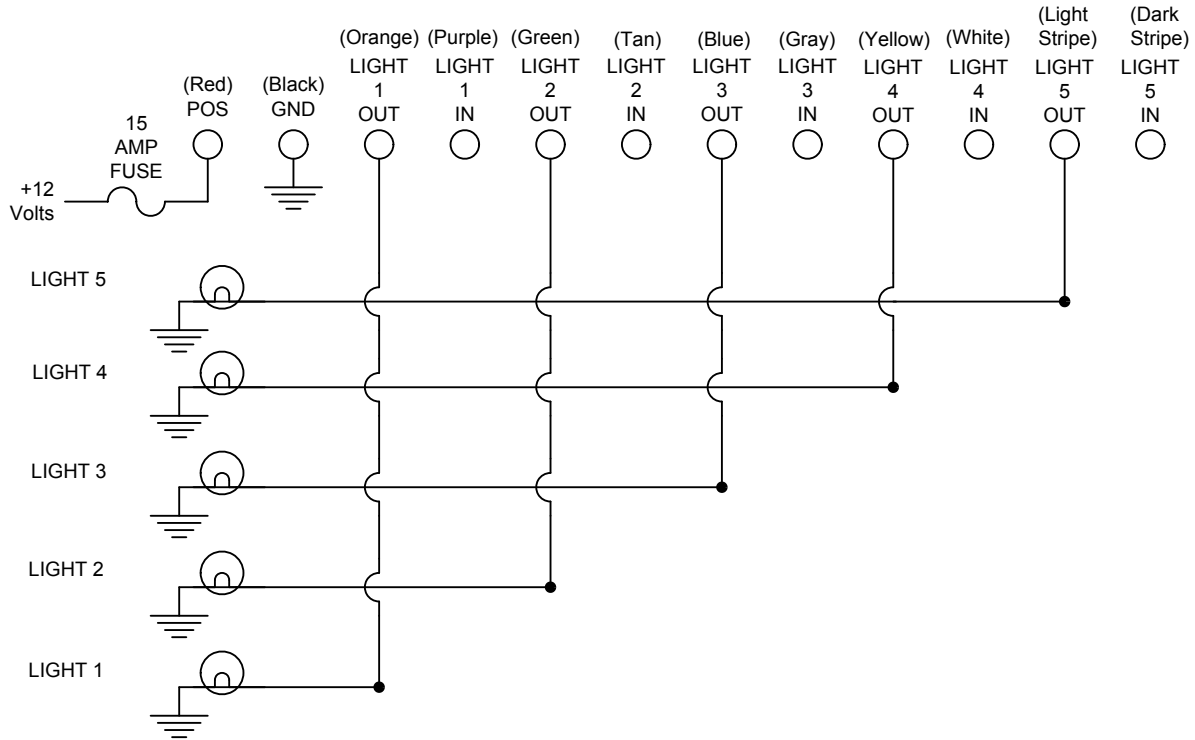
CAUTION!

This flasher **MUST** be wired through a circuit controlled by the ignition switch **DO NOT** wire directly to the battery.

This flasher is designed to flash five auxiliary lights, of your choice, in a random flash pattern. Wire the flasher as shown in the diagram below.

When selecting a location to mount the flasher, keep in mind that the life of an electronic device is directly dependent on the temperature in which it is operated - the cooler the unit, the longer the life. Select a mounting location that is away from sources of extreme heat.

Input is optional. Only used if you desire to steady burn the lights at any time.



PRODUCTS COMPANY 804 East Hwy 248 Cassville, MO 65625
U.S. and Canada Toll Free Numbers Phone: 800-641-4098 FAX: 800-526-1240
E-mail: sales@able2products.com WEB: www.able2products.com